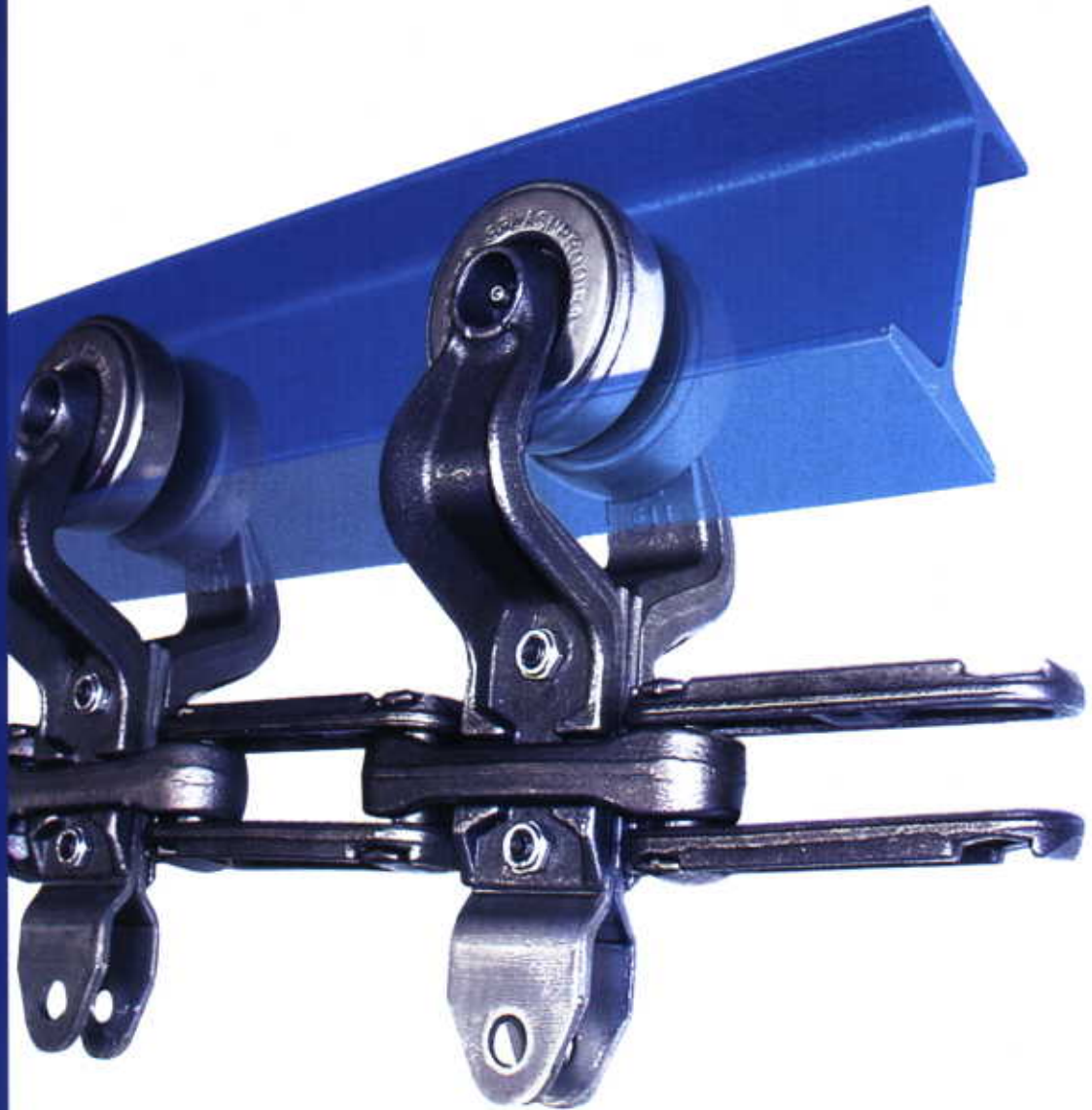


I-BEAM OVERHEAD CONVEYORS

ISO 9001
PACLINTM
OVERHEAD CONVEYORS
www.pacline.com

I-BEAM Overhead Conveyor

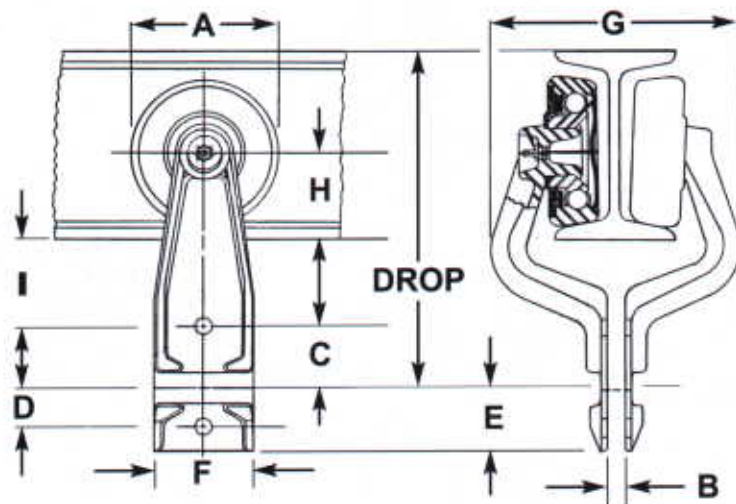


- RUGGED CONSTRUCTION
- HIGH CAPACITY
- DURABLE
- SIMPLE AND PROVEN
- INEXPENSIVE SOLUTION

I-BEAM OVERHEAD CONVEYORS

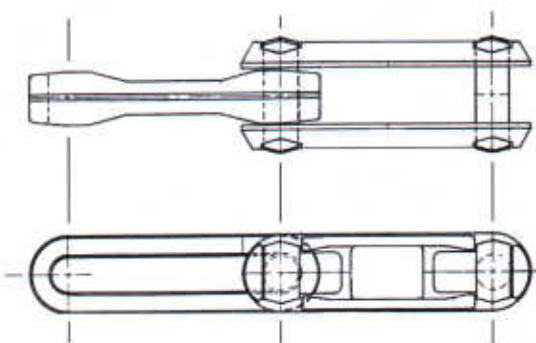
ISO 9001
PACLINETM
 OVERHEAD CONVEYORS

Trolley Size	6"	4"		3"	
Drop	10"	8"	7 3/16"	5 1/2"	
Single Trolley Capacity	1200 lbs	400 lbs		200 lbs	
Capacity with Load Bar	2400 lbs	800 lbs		400 lbs	
Trolley Set Wt.	19.3 lbs	6.5 lbs		3.1 lbs	
Chain Size	X-678	X-458		X-348	
I-Beam Size #/ft	6" I @ 12.5	4" I @ 7.7		3" I @ 5.7	
Trolley Dimensions	A	4 13/16"	3 3/16"	3 3/16"	2 5/16"
	B	1/2"	3/8"	3/8"	1/4"
	C	1 5/8"	1 5/16"	1 5/16"	1"
	D	1 1/8"	13/16"	13/16"	7/8"
	E	1 11/16"	1 1/4"	1 1/4"	1 1/4"
	F	3 3/8"	2 1/8"	2 1/8"	1 9/16"
	G	6 3/8"	5 3/8"	5 3/8"	4 1/16"
	H	2 11/16"	1 7/8"	1 7/8"	1 7/16"
	I	2 3/8"	2 11/16"	1 7/8"	1 1/2"



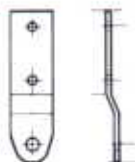
Chain Size	6"	4"	3"	
Part Number	X-678	X-458	X-348	
Ultimate Strength (lbs)	85,000	48,000	24,000	
Weight per Foot (lbs)	6.7	3.2	2.2	
Chain Pull Cap (lbs)	Maximum	6,500	3,500	2,000
	Recommended	4,500	2,500	1,500
Vertical Curve	12"	10 ft.	5 ft.	
	16"		8 ft.	
Minimum Radius (ft)	18"		6 ft.	
	24"	15 ft.	10 ft.	8 ft.
Trolley Spacing (inches)	30"		10 ft.	
Horizontal Turns	32"		12 ft.	
	36"	20 ft.		
Roller Lt. C.P.	36" Rad.	18" Rad.	18" Rad.	
	48" Rad.	24" Rad.	18" Rad.	
Wheel Lt. C.P.	36" Dia.	24" Dia.	24" Dia.	
	48" Dia.	36" Dia.	24" Dia.	

X-Type Rivetless (6", 4", 3")

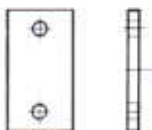


TROLLEY ATTACHMENTS

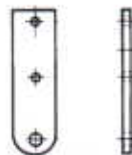
"H" Attachment



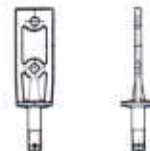
"I" Attachment



"C" Attachment



"B" Attachment



www.pacline.com • email: sales@pacline.com

CANADA/INT'L. SALES:

PACLINE CORPORATION

10 Falconer Drive • Mississauga • Ontario • L5N 3L8
 Tel: 905.858.2330 • Fax: 905.858.2333

U.S.A. SALES:

PACLINE CONVEYORS, INC.

155 Great Arrow Ave • Buffalo • New York • 14207
 Tel: 716.876.9250 • Fax: 716.876.9287