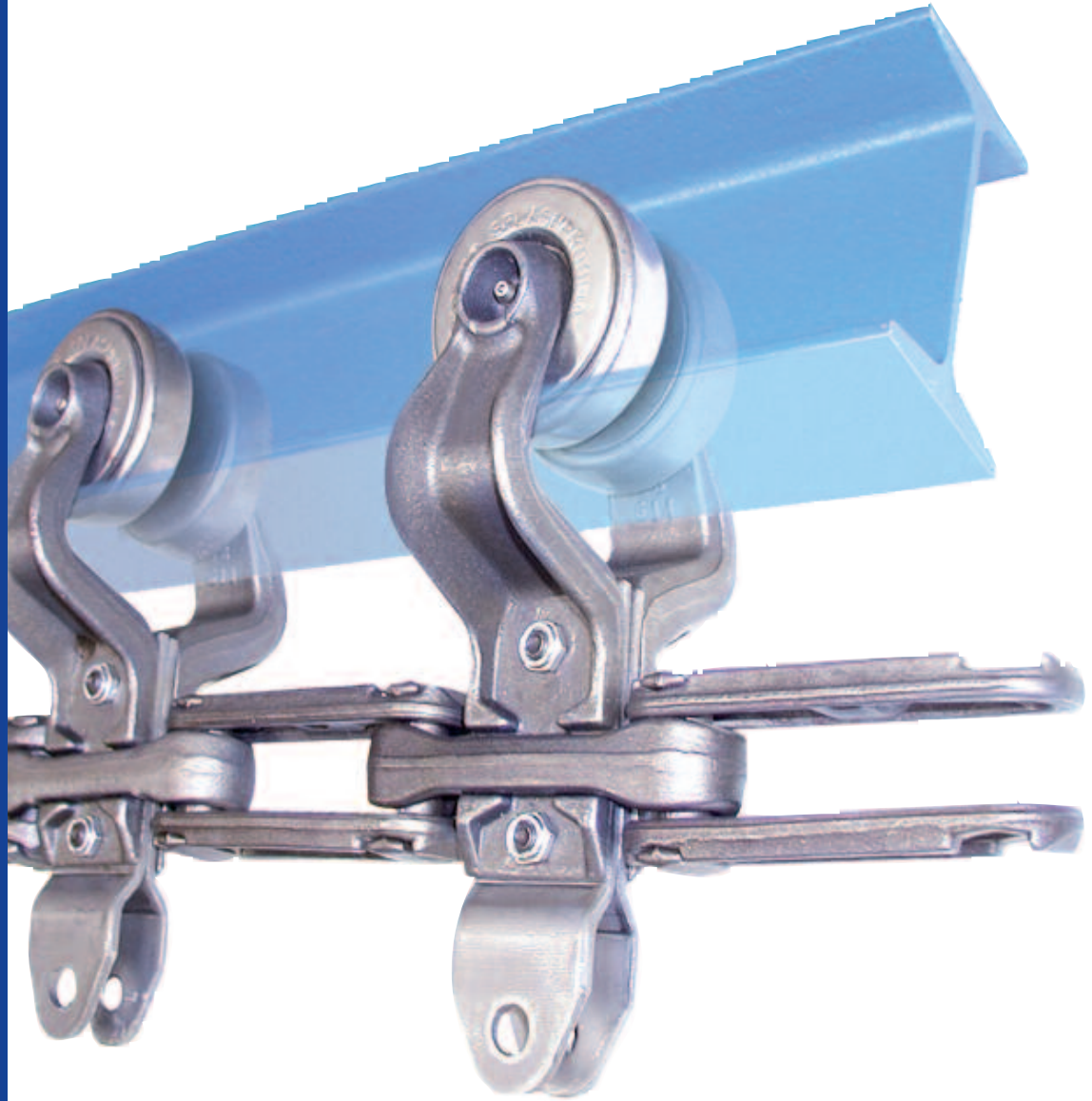


I-BEAM OVERHEAD CONVEYORS

ISO 9001
PACLINTM
OVERHEAD CONVEYORS
www.pacline.com

PAC-BEAMTM
I-Beam Trolley Conveyor



- **RUGGED CONSTRUCTION**
- **HIGH CAPACITY**
- **DURABLE**
- **SIMPLE AND PROVEN**
- **INEXPENSIVE SOLUTION**

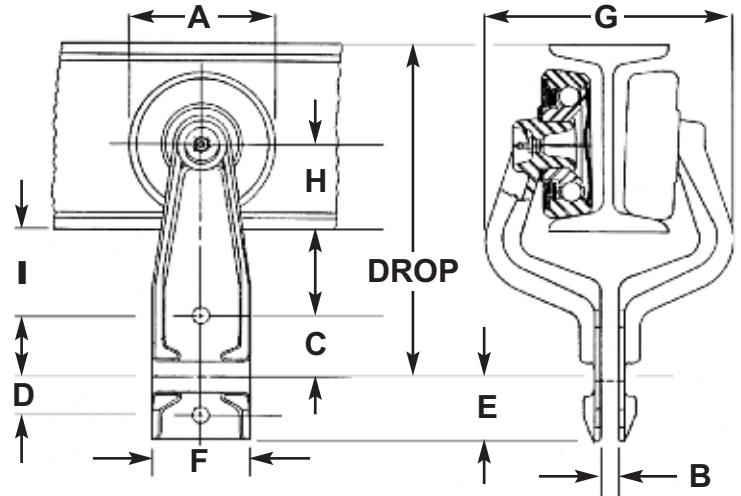
I-BEAM OVERHEAD CONVEYORS

ISO 9001™

PACLINE™

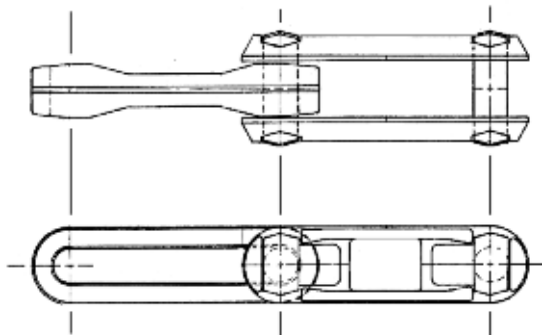
OVERHEAD CONVEYORS

Trolley Size	6"	4"		3"	
Drop	10"	8"	7 3/16"	5 1/2"	
Single Trolley Capacity	1200 lbs	400 lbs		200 lbs	
Capacity with Load Bar	2400 lbs	800 lbs		400 lbs	
Trolley Set Wt.	19.3 lbs	6.5 lbs		3.1 lbs	
Chain Size	X-678	X-458		X-348	
I-Beam Size #/ft	6" I @ 12.5	4" I @ 7.7		3" I @ 5.7	
Trolley Dimensions	A	4 13/16"	3 3/16"	3 3/16"	2 5/16"
	B	1/2"	3/8"	3/8"	1/4"
	C	1 5/8"	1 5/16"	1 5/16"	1"
	D	1 1/8"	13/16"	13/16"	7/8"
	E	1 11/16"	1 1/4"	1 1/4"	1 1/4"
	F	3 3/8"	2 1/8"	2 1/8"	1 9/16"
	G	6 3/8"	5 3/8"	5 3/8"	4 1/16"
	H	2 11/16"	1 7/8"	1 7/8"	1 7/16"
	I	2 3/8"	2 11/16"	1 7/8"	1 1/2"



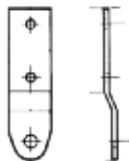
Chain Size	6"	4"	3"		
Part Number	X-678	X-458	X-348		
Ultimate Strength (lbs)	85,000	48,000	24,000		
Weight per Foot (lbs)	6.7	3.2	2.2		
Chain Pull	Maximum	6,500	3,500	2,000	
	Cap (lbs)	Recommended	4,500	2,500	1,500
Vertical Curve	12"	10 ft.	5 ft.		
	16"		8 ft.		
	18"		6 ft.		
	24"	15 ft.	10 ft.	8 ft.	
	30"			10 ft.	
	32"		12 ft.		
Trolley Spacing (inches)	36"	20 ft.			
	Horizontal Turns	Roller Lt. C.P.	36" Rad.	18" Rad.	18" Rad.
		Roller Max. C.P.	48" Rad.	24" Rad.	18" Rad.
Minimum Radius	Wheel Lt. C.P.	36" Dia.	24" Dia.	24" Dia.	
	Wheel Max. C.P.	48" Dia.	36" Dia.	24" Dia.	

X-Type Rivetless (6", 4", 3")

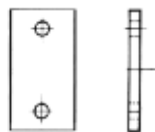


TROLLEY ATTACHMENTS

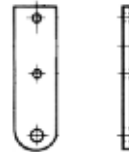
"H" Attachment



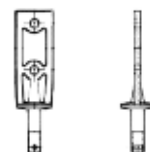
"I" Attachment



"C" Attachment



"B" Attachment



www.pacline.com • email: sales@pacline.com

CANADA/INT'L. SALES:

PACLINE CORPORATION

5890 Shawson Drive • Mississauga ON • L4W 3W5
Tel: 905.858.2330 • Fax: 905.858.2333

U.S.A. SALES:

PACLINE CONVEYORS, INC.

155 Great Arrow Ave • Buffalo • New York • 14207
Tel: 716.876.9250 • Fax: 716.876.9287