

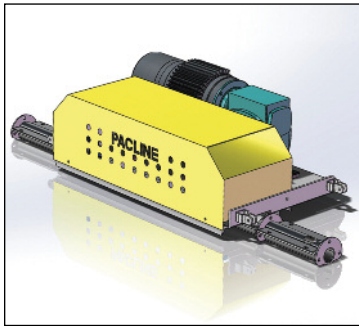
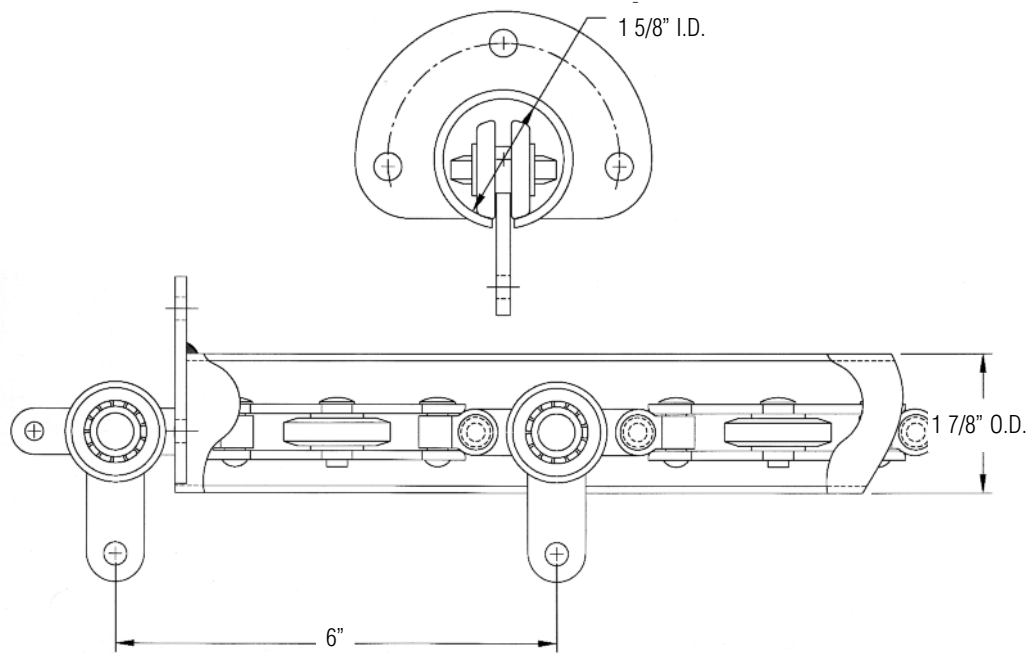
PAC-LINE™

ENCLOSED TRACK CONVEYOR



- Compact
- Medium Capacity
- Modular Components
- Bolted Assembly
- Zinc Plated

PACLINE™
OVERHEAD CONVEYORS
WWW.PACLINE.COM



PAC-LINE™ Drive



PAC-LINE™ Take-Up



PAC-LINE™ Curve

	PAC-LINE™
Maximum Load Per Pendant	50 lbs.
Maximum Drive Pull	600 lbs.
Ultimate Chain Breaking Load	3,700 lbs.
Maximum Chain Length Per Drive	600 ft.**
Chain Friction Co-efficient	2.5 - 4.5%
Chain Pendant Pitch	6 inches
Standard Horizontal Curve Radius	24 inches*
Standard Vertical Curve Radius	24 inches
Maximum Drive Speed	60 F.P.M.
Maximum Incline Angle	90 degrees

* 9", 12" and 18" radius curves available with engineering approval. 30", 36", 48" also available.
 ** Subject to layout and chain pull review