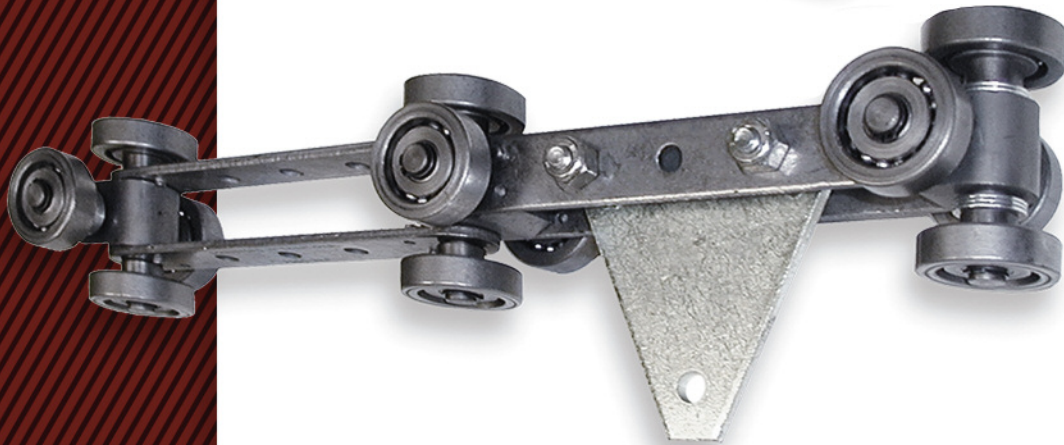


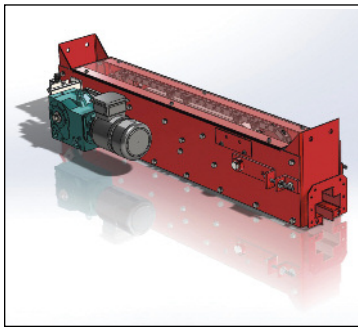
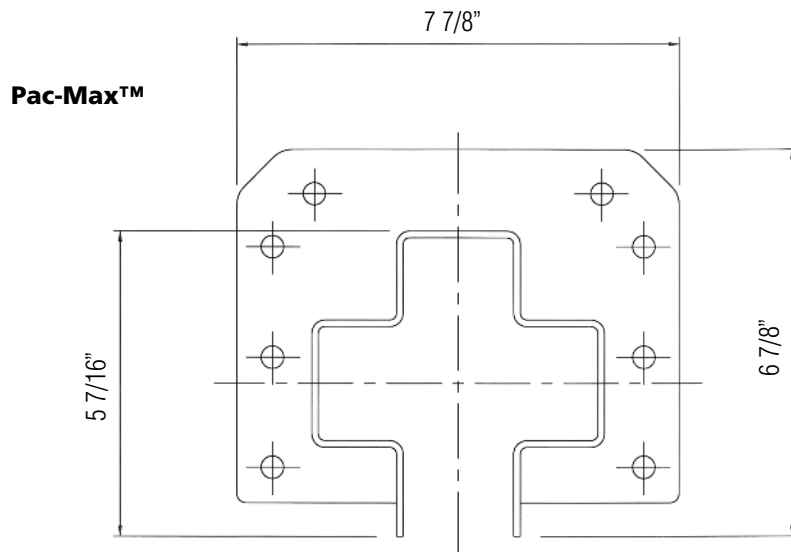
PAC-MAXTM

PACLIN HEAVY DUTY CONVEYOR

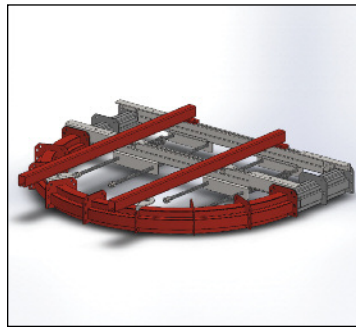


- Compact and Stable
- High Capacity
- Modular Components
- Use Inverted or Slot Sideways
- Bolted Assembly

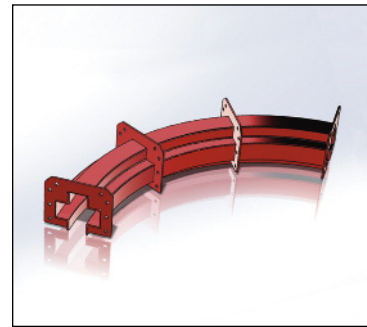
PACLINTM
OVERHEAD CONVEYORS
WWW.PACLIN.COM



PAC-MAX™ Drive



PAC-MAX™ Take-Up



PAC-MAX™ Curve

	PAC-MAX™
Maximum Load Per Pendant	200 lbs.
Maximum Drive Pull	2,000 lbs.
Ultimate Chain Breaking Load	15,000 lbs.
Max Chain Length Per Drive	1,000 ft.*
Chain Friction Co-efficient	2.5%
Chain Pitch	8" standard (6" available)
Standard Horizontal Curve Radius	30" *
Standard Vertical Curve Radius	30" *
Maximum Drive Speed	45 F.P.M.
Maximum Incline Angle	90 degrees
Capable for Inverted or Sideloaded**	yes

* Subject to layout and chain pull review. Curve radius available 24", 30", 36" and 48".

** Load capacity is derated for inverted / sideloaded orientation.

PACLINE
OVERHEAD CONVEYORS
WWW.PACLINE.COM

1-800-955-8860
 sales@pacline.com